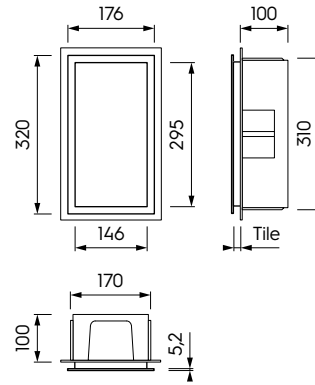


// NICHE MADE OF STAINLESS STEEL 1.4301

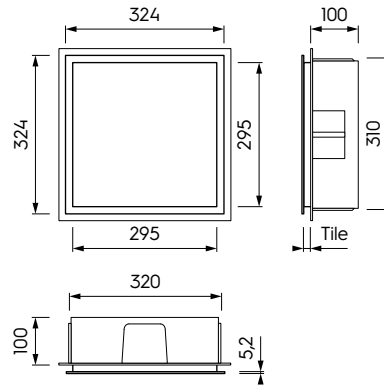
in 3 different sizes

Item-no.	Niche
Product group	Shower / Bathroom
Dimension	Small size: 150 x 300 mm rectangular Medium size: 300 x 300 mm square Large size: 600 x 300 mm rectangular
Installation depth	100 mm
Material box	Stainless steel V2A (304) Material number: 1.4301 Billet X5CrNi18-10
Material built-in element	Polystyrene (PS)
Surface	NES: brushed BW: powder coated mat white RAL 9003 SW: powder coated mat black RAL 9005
Parameters for the stainless steel niche: (not for the substructure)	
Fire resistance in accordance to DIN EN 13501	A1 (non-flammable)
Linear coefficient of expansion	$16 \times 10^{-6} \text{ m/m}^\circ\text{C}$
Density approx	7,9 kg/dm ³
Hardness approx	≤ 215 HB
Tensile strenght Rm at 20°C	500 - 700 N/mm ²
Elongation A5 at 20°C	≥ 45 %
Yield strenght Rp 0,2 at 20°C	≥ 190 N/mm ²
Modulus of elasticity at 20°C	200 kN/mm ²
Electrical resistivity (Ω) at 20°C	0,73 mm ² /m
Magnetisability at 20°C	very low
Thermal conductivity at 20°C	15 W/m K
Specific heat capacity at 20°C	500 J/kg K

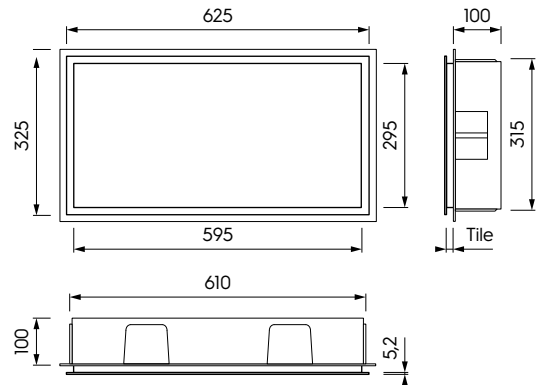
Drawing



Niche 150 x 300 x 100 mm



Niche 300 x 300 x 100 mm



Niche 600 x 300 x 100 mm